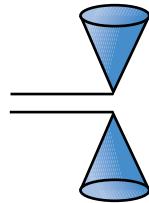
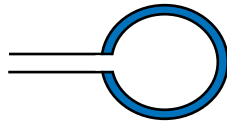


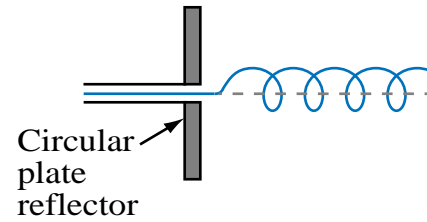
(a) Thin dipole



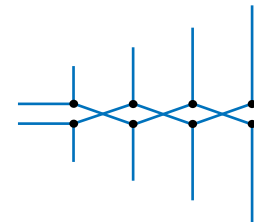
(b) Biconical dipole



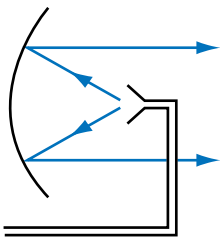
(c) Loop



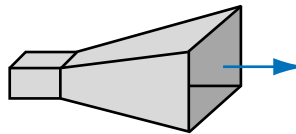
(d) Helix



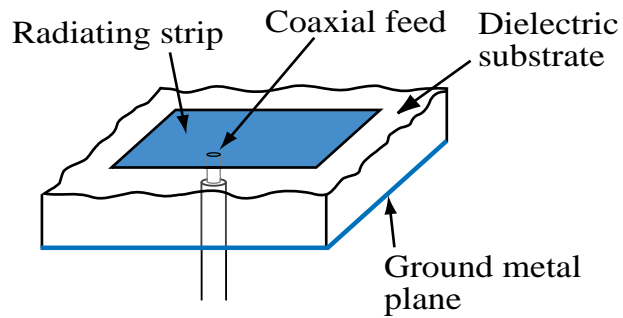
(e) Log-periodic



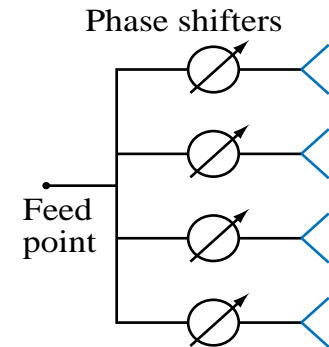
(f) Parabolic dish reflector



(g) Horn



(h) Microstrip



(i) Antenna array